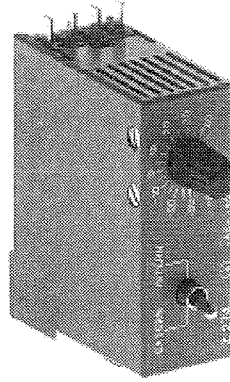


**Z273
Z274
Z275**

T1 sensor simulators

The T1 simulators can be used in place of NKDG, NKDW and NKIT terminal modules.



Z274

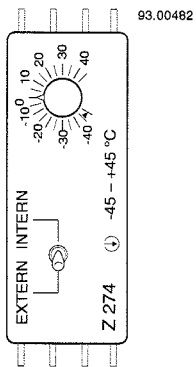
Types

Z273	T1 measuring range	0 ... 40 °C
Z274	T1 measuring range	-45 ... 45 °C
Z275	T1 measuring range	0 ... 150 °C

Technical data

Measuring ranges	See Types above
Accuracy	±5 % of measuring range
Dimensions (w x h x d)	24 x 68 x 64 mm
Weight	Approx. 60 g
Ambient temperatures:	
Operation	0 ... 50 °C
Transport and storage	-25 ... 70 °C

Indication / Labelling



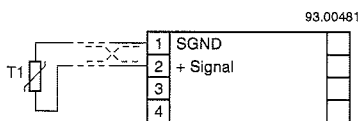
Rotary knob:

Potentiometer

Manual switch settings:

EXTERN NK.. function
INTERN Simulation

Terminal layout on module carrier



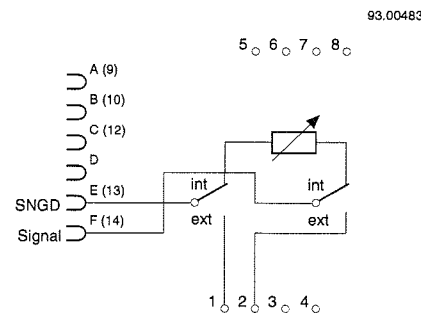
---x--- Interchangeable wires

Brief description

The Z273, Z274 and Z275 simulators are passive like T1 sensors and may be slotted into the terminal module carriers in place of the relevant terminal modules (NKDG, NKDW or NKIT).

By setting the manual switch appropriately, either the simulator (switch position: INTERN) or the installed sensor (switch position: EXTERN) can be connected to the RS controller. With the manual switch set to INTERN, the potentiometer can be used to select any value within the measuring range.

Block diagram



1 ... 4 Terminals
A ... F Connection to terminal module carrier